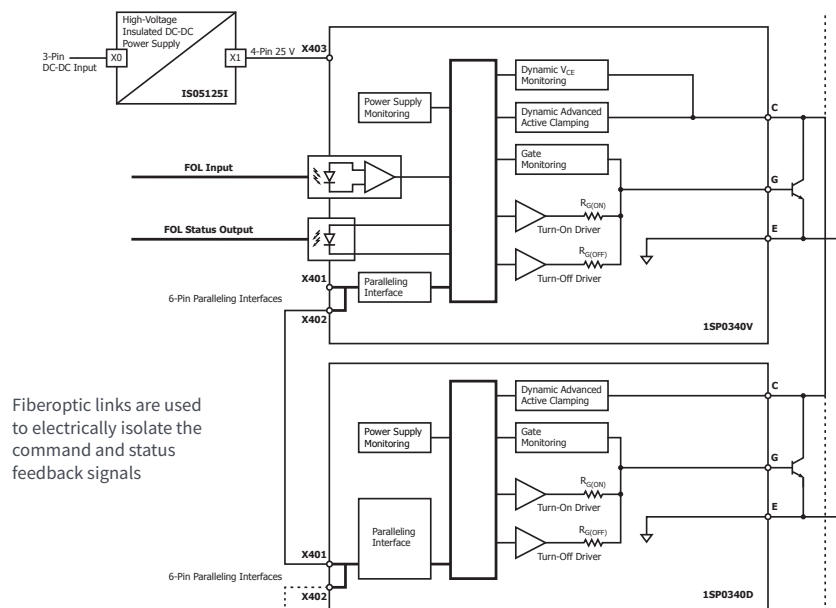


SCALE™ -2 Plug-and-Play Gate Driver 1SP0340

- Direct paralleling of up to four IGBT modules
- Supports two-level and multi-level topologies
- Fiberoptic interfaces
- IGBT short-circuit protection
- Overvoltage protection by Dynamic Advanced Active Clamping
- External DC-DC converter ISO5125I necessary

Single-Channel Plug-and-Play Gate Driver for 4.5 kV IGBT Modules in a Low-Voltage (6 kV) Package



PI-8695-022820

Applications

- Railway main inverters
- High-voltage DC transmission systems (HVDC)
- Medium- and high-voltage drives
- Pulse power applications
- Flexible AC transmission systems (FACTS)
- STATCOM

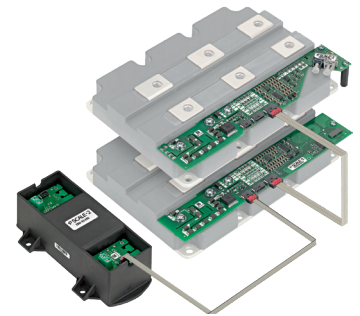
Certifications

- Creepage and clearances according to IEC 60077-1
- UL compliant

Product Details

Parameter	Min	Typical	Max	Unit
Nominal supply voltage		25		V
Supply current 1SP0340V2M0 @ $f_{IN} = 0$ Hz		47		mA
Per additional 1SP0340D2S0 @ $f_{IN} = 0$ Hz		20		mA
Output power (1SP0340V2M0)			2.8	W
Output power (1SP0340D2D0)			2.8	W
Gate voltage		+15 / -10		V
Peak output current (gate current)	-35		+35	A
Switching frequency (f_s) ¹	0		30	kHz
Duty cycle	0		100	%
Operating temperature	-40		+85	°C

¹ Maximum switching frequency depends on the IGBT gate charge. See data sheet for actual value of specific driver.



Design Support

Available Products 1SP0340 products list (www.power.com/1SP0340)